



reddot award 2019
winner



Controlmini

ELEGANT DESIGN
MEETS
FUNCTIONALITY



All-in-one package consisting of
KNX server, IP router, smart home
app and visualisation



11.6" Full HD touch display



Customisable front glass panels



Surface-mounted or concealed
installation, also flush-mounted

Powerful specs

The 11.6-inch Controlmini clearly displays all building control features in a central location. This means you can always keep an eye on your building technology and can also choose from numerous application options, because the Controlmini is based on a fully-featured Windows 10 computer. You can use it in both the private and commercial sectors – either with an external server or without one, thanks to its own KNX interface and the YOUVI software that comes included. The Controlmini can be used flexibly in both classic home control and hotels, bars or office buildings. The Full HD display with capacitive touch screen, the HD webcam and the wideband speakers expand the device's possible range of applications, for example, for video telephony, or for use as an information terminal. In addition to the basic building control features, the Controlmini also supports IP telephony, SIP intercoms with video transmission, and other Windows features, such as night mode and control with touch gestures. The pre-installed Windows 10 IoT Enterprise LTSC makes this possible.

The high-quality components not only make the Controlmini look classy, but also help to dissipate excess heat into the environment. This fanless cooling concept allows the device to run silently and heat to dissipate evenly via the frame and front.

Smart software

The YOUVI Basic visualisation is already included in the Controlmini's scope of supply. With this software, you can conveniently and centrally control the (RGBW) light, blinds, temperature or ventilation – simply via your customisable dashboard on the touch panel or via the app. Thanks to the intuitive interface, all features are easily accessible and you hardly need to do any navigation. Furthermore, you can access any websites you like via YOUVI and integrate them into the user interface. You can also keep an eye on all the energy flows in the building via a special widget. This way, you always know what is currently being consumed in your house, how much electricity the solar system is generating, and how much energy is required from the power grid. YOUVI Basic can be expanded as required with various add-ons. The logic module makes many manual operations superfluous. Save morning and evening routines and have these played out automatically. Or create alert functions, simulations of someone being at home and individual scenes.

Additional add-ons allow you to use additional features: from video surveillance with IP cameras to door communication to controlling your smart home via voice command or with the app on the go. The music player for Sonos or trivium can be used to realise a multi-room control system that turns the Controlmini into an extensive multimedia device.

Capable of further visualisations

Furthermore, other visualisations can be easily used that run as a web application or Windows client on the Controlmini. A large selection is available here, such as CubeVision, Edomi or visualisations of the Gira HomeServer or X1. This allows you to expand the features of the panel based on your individual requirements.

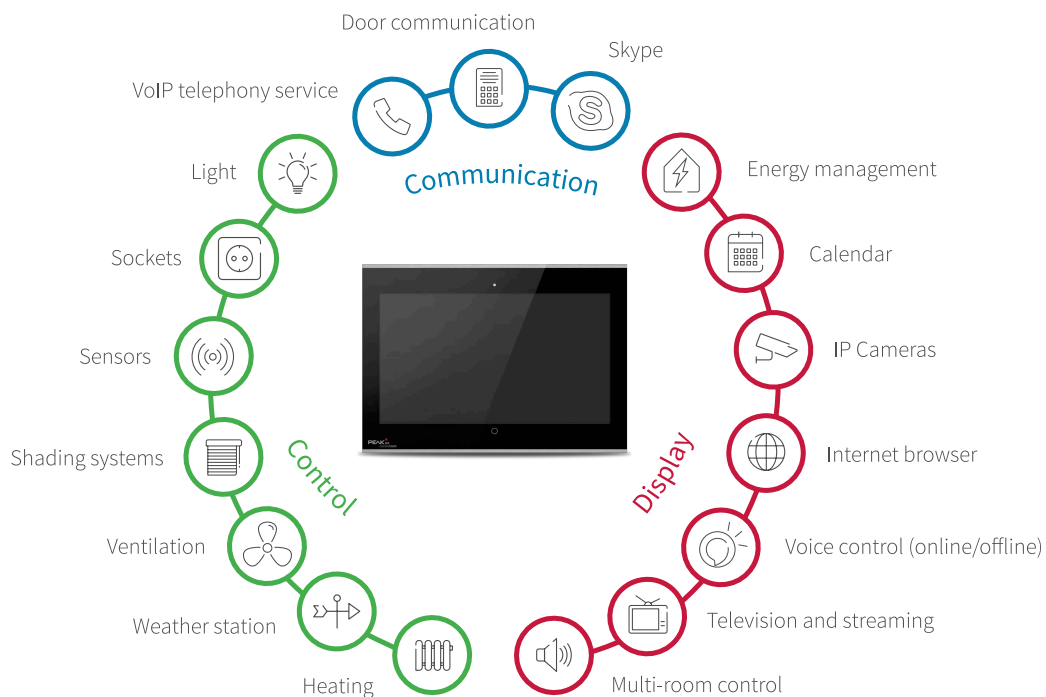
Convenient assembly

You have three different mounting versions for the Controlmini: surface-mounted without chiselling, a concealed installation for a very flat look on the wall, or even flush-mounted. Flush-mounted installation gives the panel a particularly elegant appearance.

It can also be installed as a replacement device in the mounting boxes of Gira, ABB/Busch-Jaeger, Berker, Jung and Merten or Feller devices. Due to the possibility of opting for surface mounting, old MT701 devices with UP-KAST2 mounting boxes are also easy to replace.

Timeless design

The glass of the Controlmini is available in black and white as standard. In addition, you have the option of designing a custom glass panel in your preferred colour or with your own motif. All these glass versions are also available without our logo. The border colour can also be selected.



YOUVI

A visualisation in which even new users can quickly and intuitively find their way around. The interface, with its smart design, shows you everything you need for uncomplicated building control.

Use the room buttons to go directly to your desired room and control groups of lights, shutters and more without having to navigate a lot.

Always have a live view of how much energy is being consumed or recovered in your home.

Take advantage of the clear navigation bar, which is divided into trades, floors and a custom dashboard.

In addition to controlling shutters, blinds, lights, (RGBW) dimmers, switches and heaters, you can also easily integrate the weather station.

Ventilation systems are clearly presented and make it easier to control your indoor air quality.

Each tile can be displayed in two different sizes.

Various sensors for, e.g., humidity, wind speed and brightness, as well as binary sensors for window and door contacts are supported.



Automatic setup via ETS import feature



iOS or Android app included



Dashboard can be freely edited via drag and drop



Dark mode

Do you prefer darker designs? Then simply switch to dark mode. The dark theme not only looks very classy; it also protects your eyes in dark environments.

THE YOUVI ADD-ON PRINCIPLE

With the YOUVI add-ons, we offer you exactly the features you need. YOUVI Basic covers the most common building control tasks. The additional add-ons make it possible to expand the functionality as required. This gives you a building control system that is precisely tailored to you. The add-ons need only be purchased once per building setup.



Visualisation

For an easy control of lights, dimmers, RGB(W) luminaires, shading, heating, sockets and ventilation systems. Available in English, French and German.



YOUVI BASIC



Bus monitor

For quick troubleshooting on the KNX bus.



IP router

For connecting to the KNX network without extra hardware.



Connect module

For control via voice command (online or offline) or with the YOUVI app on the go.

Optional



Camera module

For connecting surveillance cameras.

Optional



Logic module

For easily creating if-then routines.

Optional



Door station module

For simple video door communication in the best sound quality.

Optional

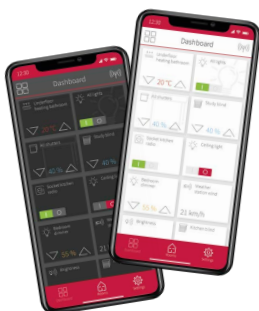


Device bridges

For integrating devices outside the KNX standard.

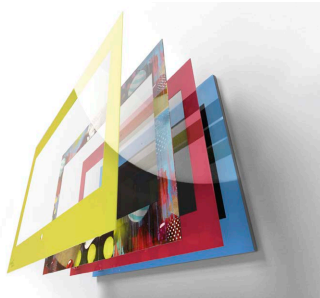
Optional

ADD-ONS



Control your home comfortably with the YOUVI mobile app. This is available free of charge for Android and iOS smartphones and for use in your own home network. The app is available in a light and dark design.

PEAK^{NX}
controlmini



AT A GLANCE

Technical specifications

Specs

- Intel quad-core processor
- 4 GB RAM
- 64 GB eMMC memory
- 11.6" Full HD LED LCD
- Multi-touch thanks to PCAP Touch technology
- HD webcam
- Wideband stereo speaker
- Optimised microphone
- Wi-Fi, 2.4 GHz and Bluetooth 4.0
- Fanless cooling by convection

Software

- Operating system: Windows 10 IoT Enterprise LTSC
- YOUVI Basic software package consisting of visualisation, IP router and bus monitor (modules and bridges can be purchased in addition)

Connections

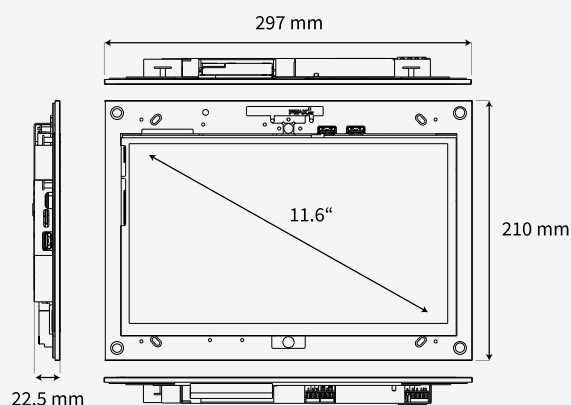
- 1 x KNX
- 2 x USB 2.0 front connection
- 1 x USB 3.2 Gen 1
- 1 x 100 Mbit Ethernet
- 1 x Mini HDMI Out
- 1 x MicroSD card slot

Supply and consumption

- Supply voltage: 24 V (power supply for mounting socket and DIN rail available)
- Operation when idle: 10 W
- Operation at full capacity: 15 W
- Server operation without LCD: 5 W

Dimensions

- Mounting box, W x H x D: 251 x 193 x 50 mm
- Front glass panel, W x H x D: 297 x 210 x 0.7 mm



Compatibility

Visualisations

All Windows or web-based, such as:

- BabTechnologie: CubeVison
- Gira: QuadClient, Ajax, X1
- Hager: Domovea
- Symcon GmbH: IP Symcon
- Edomi, openHAB, ThinKnx and many more...

Mounting boxes

Adapter available for mounting boxes, such as the UP-KAST2, Jung EBG 24 or Busch-Jaeger 6136/UP, for replacing, e.g.:

- Gira Control 9 & InfoTerminal Touch
- Merten Touch Panel 7
- Busch ComfortPanel 9" & 12.1"
- Berker Master Control, and many more...

Cameras

IP streams in RTSP, JPG and MJPG format, e.g., from:

- Hikvision
- Axis
- Lupus
- Mobotix, and many more...

Door communication

All SIP-enabled door communication systems, e.g.:

- DoorBird IP video door station
- AGFEO IP Video TFE door intercom system
- Wantec Monolith C IP
- Mobotix T25, and many more...

ETS

- ETS Inside server

Music software

Windows or web-based software:

- Apple iTunes, Spotify, Sonos, and many more...

- Reliable, silent operation
- Including YOUVI Basic software package for KNX bus control, consisting of visualisation, IP router and bus monitor
- No need for an external server thanks to KNX connection and software
- Compatible with many other visualisations, SIP door stations and mounting boxes
- Hassle-free, smooth display of surveillance cameras
- Very low installation depth
- Available in surface-mounted, concealed and flush-mounted versions
- Interchangeable glass covers with customised designs